

## Coupling spiders

for GN 2240 / GN 2241

### SPECIFICATION

Polyurethane (TPU)  
temperature resistant up to 60 °C

Hardness

80 Shore A, blue **BS**  
92 Shore A, white **WS**  
98 Shore A, red **RS**



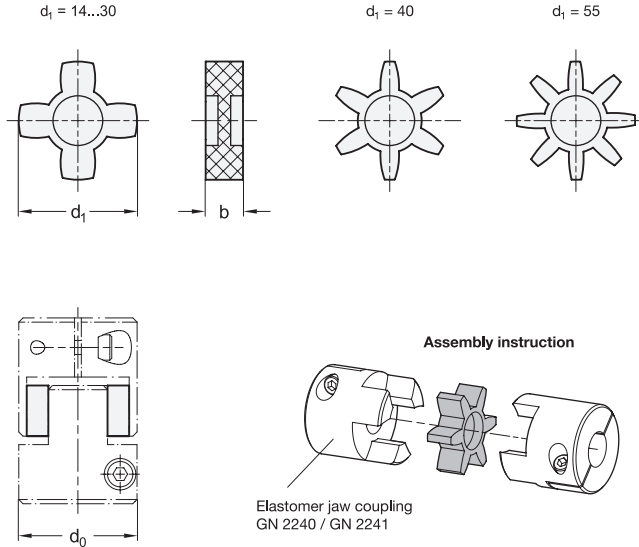
### INFORMATION

Coupling spiders GN 2240.1 are intended as replacement parts or for adjusting elastomer jaw couplings GN 2240 (see page) / GN 2241 (see page).

The choice of three coupling spiders with different hardness values allows the properties of the coupling to be optimally matched to the specific requirements.

### TECHNICAL INFORMATION

- Elastomer characteristics (see page A32)



### GN 2240.1

Description	d0 Coupling Ø GN 2240 / GN 2241	d1	b	Number of teeth	⚖
GN 2240.1-14-BS	14	14	6	4	1
GN 2240.1-14-RS	14	14	6	4	1
GN 2240.1-14-WS	14	14	6	4	1
GN 2240.1-20-BS	20	20	8	4	2
GN 2240.1-20-RS	20	20	8	4	2
GN 2240.1-20-WS	20	20	8	4	2
GN 2240.1-30-BS	30	30	10	4	5
GN 2240.1-30-RS	30	30	10	4	5
GN 2240.1-30-WS	30	30	10	4	5
GN 2240.1-40-BS	40	40	12	6	7
GN 2240.1-40-RS	40	40	12	6	7
GN 2240.1-40-WS	40	40	12	6	7
GN 2240.1-55-BS	55	55	14	8	18
GN 2240.1-55-RS	55	55	14	8	18
GN 2240.1-55-WS	55	55	14	8	18